

VR REAL FEEL™ ALIEN BLASTERS

3D REALITY SIMULATOR



QUICK START GUIDE

Follow these instructions and you'll be playing in just few minutes

1

Download The Free App



- Search on the Apple App Store or Google Play for **VR Real Feel™ Alien Blasters**.

System requirement: Android 4.4 or above iOS 9.3* or above

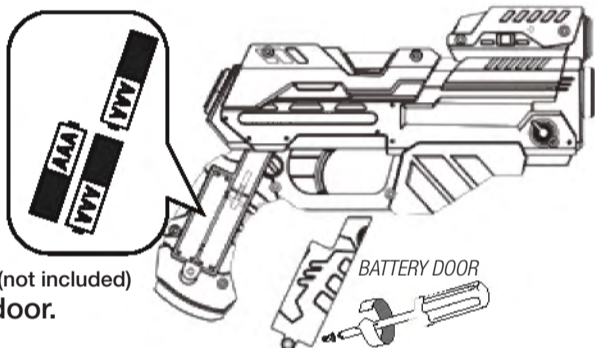
*The minimum OS requirement may change from time to time - always check www.vr-entertain.com for the latest OS requirements.

2

Install Batteries

- Unscrew the battery door on the blaster.

- Install 3 x AAA batteries (not included) and replace the battery door.



ALKALINE BATTERIES RECOMMENDED.
USES 3 x 1.5V "AAA" BATTERIES (NOT INCLUDED)

BATTERY WARNINGS:

RECHARGEABLE BATTERIES NOT RECOMMENDED.
DO NOT MIX OLD AND NEW BATTERIES.
DO NOT MIX ALKALINE, STANDARD (CARBON-ZINC), OR RECHARGEABLE BATTERIES.
BATTERIES ARE TO BE INSERTED WITH THE CORRECT POLARITY.

3

Setting Up Your Smartphone

- Turn OFF your WiFi and Cellular data. This will keep you from being disturbed while playing. You can also set your phone to "airplane mode" but be sure your Bluetooth® connectivity is still enabled.

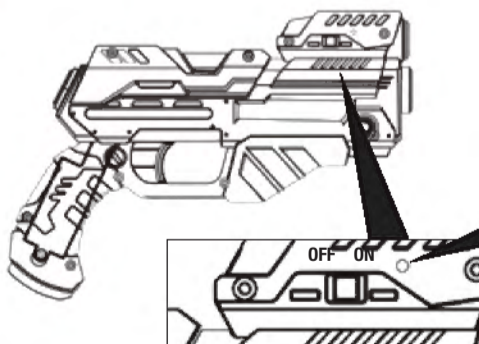


Bluetooth® IMPORTANT: Bluetooth® 4.0(BLE) connectivity must be working for you to play with VR Real Feel™ Alien Blasters.

4

Launch the VR REAL FEEL™ App

- Click & launch the VR Real Feel™ app on your device.
- Turn the ON/OFF switch on the right side of the blaster to ON.



NOTE: The LED on the right side of the blaster will flash to tell you that the batteries are working.

Press **SCAN** in the app to connect your blaster by Bluetooth® technology. The game will start automatically when the blaster is successfully connected.

LED on the blaster should be lit.

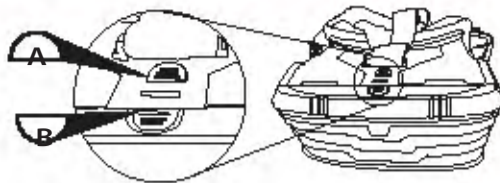
This tells you that the Bluetooth® connection was successful.

NOTE:

- You must have the blaster connected by Bluetooth® technology for the app to open.

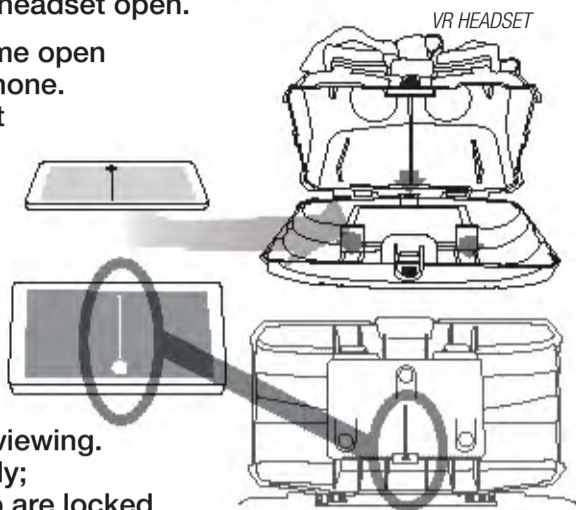
5 Insert Your Phone

- To open the front of the headset, press both A and B buttons down at the same time and flip the headset open.
- Spread the self-adjusting frame open wide enough to insert your phone. Release and make sure that it holds your phone securely.

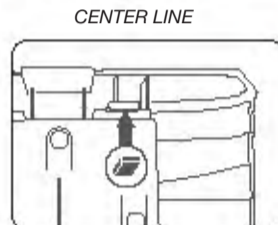


6 Center your phone

- Align the white line on the app screen with the marker on the frame to center your phone properly for optimum viewing. Close the VR headset carefully; make sure the buttons on top are locked.



- For some phone models the frame "clips" may align with control buttons such as power or volume. Attach the included foam pad to the frame clips to minimize pressure on those buttons.



7 Put On the Headset

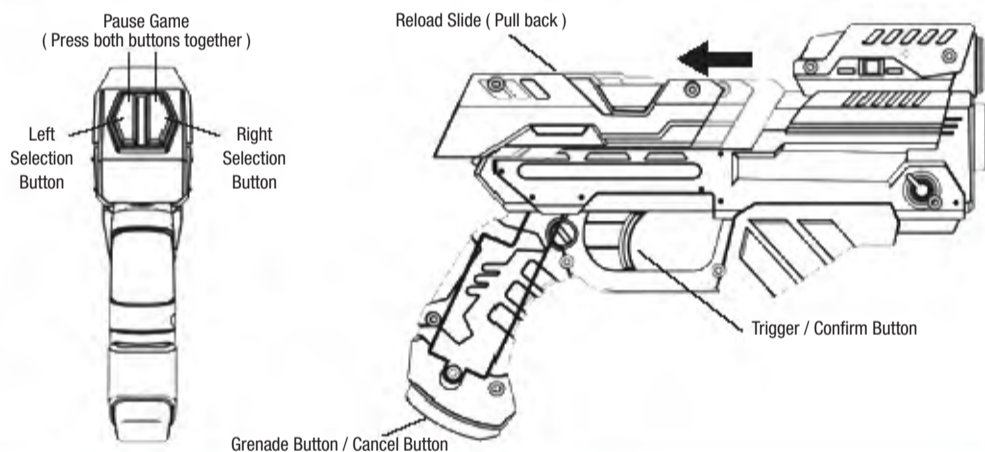
- Place the headset on your head. Make sure the center strap is centered over the top of your head. Adjust the straps so the headset fits snugly and comfortably.



TIP: If the headset is putting too much weight on your nose, make the center strap shorter.

8 Let's Blast some Aliens!

- Hold the blaster and follow the instructions in the app to start the game.
- Select the stage you want to play and press the Trigger button.



TIPS AND TROUBLESHOOTING

Make sure that furniture, objects and people are out of the play area so you don't accidentally bump into them while playing.

Because the game is generating stereo high-definition graphics, your phone's battery life may be shorter than with other games. Make sure your phone is well charged before playing.

While playing VR Real Feel™ Alien Blasters, you may notice that the phone is warm to the touch. This is normal. If it gets too warm stop the app and let the device cool down.

If the LED on the Blaster does not flash when you turn the ON/OFF switch to ON, replace the batteries and try again.

If the LED does not come on after you press SCAN on the app, check to make sure your Bluetooth® connectivity setting is in the ON position. You must be running Bluetooth® 4.0(BLE) connectivity for the app to open. Restarting the app and the blaster may also help.

If you want to play silently, plug in your ear buds (not included) through the slot on the side of the headset to your phone.

Bluetooth® headphones are not available for this app because mobile devices cannot to both your connect Bluetooth® earphone and the blaster at the same time.

If the VR image in the app is out of focus, follow steps 5 to 7 of this guide to make sure the phone is installed properly.

Battery Warnings:

Important! Only adults should replace batteries.

Rechargeable batteries not recommended.
Alkaline batteries are recommended.
Rechargeable batteries must only be charged under adult supervision.
Rechargeable batteries must be removed from the toy before recharging.
Non-rechargeable batteries are not to be recharged.
Do not mix old and new batteries.
Do not mix alkaline, standard (carbon-zinc), or rechargeable (nickel-cadmium) batteries.

Only batteries of the same or equivalent type as recommended are to be used.
Batteries are to be inserted with the correct polarity.
Exhausted batteries are to be removed from the toy.
The supply terminals are not to be short-circuited.
Please keep this information for future reference.
Remove batteries from the product before extended storage.
Do not dispose of this product in fire. Batteries inside may explode or leak.

Warning! Not suitable for children under 36 months.
Small parts - Choking hazard. - Choking hazard.

INSTRUCTION VIDEOS :
www.vr-entertain.com

CONTENTS AND SPECIFICATIONS MAY VARY FROM THOSE ILLUSTRATED.
PLEASE RETAIN THIS INFORMATION FOR FUTURE REFERENCE.



Android, Google Play and the Google Play logo are trademarks of Google Inc.

Apple, Apple logo, iPod touch and iPhone are trademarks of Apple Inc., registered in the U.S. and other countries. App Store is a service mark of Apple Inc.



The Bluetooth® word mark and logos are registered trademarks owned by the Bluetooth SIG, Inc. and any use of such marks by VR-ENTERTAINMENT LTD. is under license. Other trademarks and trade names are those of their respective owners.

Hereby, VR Entertainment Ltd. declares that this radio equipment is manufactured in compliance with the essential requirements and other relevant provisions of directive 2014/53/EC. A copy of Declaration of Conformity can be obtained from www.certaccess.com/VR63737.pdf Radio Frequency: 2.402-2.480 GHz Power Output: 0.210mW

63737-EL-02

MOUNTAIN FOLD

VALLEY FOLD

VALLEY FOLD

9x6cm 2017-07-05 update

Place the 3 self adhesive foam pads on the inside area of the frame clips of the adjustable smartphone holder. This will help prevent the frame clips from accidentally pressing your smartphone buttons.

