

SONY®



PlayStation® VR

Instruction Manual

Includes important Health and Safety Information

CUH-ZVR1

7028871

WARNING

Before using this product, carefully read this PlayStation®VR instruction manual and any manuals for compatible hardware and follow the warnings and instructions for set up. Retain for future reference.

- The VR headset is not for use by children under age 12.
- Do not use PS VR if you are tired, dizzy, light-headed, nauseous, sick, under the influence of alcohol or drugs, or have an impaired sense of motion or balance. Consult a doctor before using PS VR if you suffer from a serious medical condition.
- Wearing the VR headset will restrict your view of your actual surroundings. The VR headset does not detect obstacles. Review surroundings and clear obstacles from an area larger than the Play Area before use. Please refer to the "Using PS VR" section (▶▶ page 8) for more information on how to set up the Play Area. Make sure you are not near any walls, stairs, furniture, or other obstacles that you may collide with or trip over.
- Take steps to prevent pets, persons, or other obstacles from entering an area larger than the Play Area during use.
- Remain in the centre of the Play Area and do not walk around while wearing the VR headset. Remain seated whenever possible and avoid extreme or excessive movements of the head, limbs or body whilst wearing the VR headset. If an application requires you to stand while wearing the VR headset, ensure that you follow the application instructions carefully.
- Before beginning play, check that the VR headset cable is not wrapped around your body or limbs, and check frequently during play.
- IMMEDIATELY DISCONTINUE USE and consult your doctor before resuming gameplay if you or your child experience any of the following health problems or symptoms: Dizziness, altered vision, eye or muscle twitches, loss of awareness, disorientation, seizures, or any involuntary movement or convulsion. RESUME GAMEPLAY ONLY ON APPROVAL OF YOUR DOCTOR.
- Some people may experience motion sickness, nausea, disorientation, blurred vision or other discomfort. If experienced, stop using immediately and remove the VR headset. If you experience any discomfort after use, rest and do not engage in any activities that require unimpaired vision, balance or coordination until after symptoms have completely disappeared.
- Do not use the PS VR when you are tired or need sleep.
- Do not use the PS VR in a location that may be subject to shaking or other unstable conditions.
- It may take some time to become accustomed to virtual reality experiences. During initial use, it is recommended that you use the PS VR for short periods of time.
- Generally we recommend that you take 15 minute breaks for every hour of play. However, when viewing virtual reality content, the length and frequency of necessary breaks may vary from person to person - please take breaks that are long enough to allow any feelings of discomfort to subside.



This product has been manufactured by or on behalf of Sony Computer Entertainment Inc., 1-7-1 Konan Minato-ku Tokyo, 108-0075 Japan.

Imported into Europe and Distributed by Sony Computer Entertainment Europe Ltd, 10 Great Marlborough Street, London, W1F 7LP, United Kingdom.

The Authorised Representative for issuing and holding Declarations of Conformity is Sony Belgium, bijkantoor van Sony Europe Limited, Da Vincilaan 7-D1, 1935 Zaventem, Belgium.

FOR CUSTOMERS IN THE UNITED KINGDOM

A moulded plug complying with BS1363 is fitted to this equipment for your safety and convenience. Should the fuse in the plug supplied need to be replaced, a 5AMP fuse approved by ASTA or BSI to BS1362, (i.e., marked with ⚡ or ⚡ mark) must be used. If the plug supplied with this equipment has a detachable fuse cover, be sure to attach the fuse cover after you change the fuse. Never use the plug without the fuse cover. If you should lose the fuse cover, please contact your nearest Sony service station.

Energy efficiency

For information based on the EU Ecodesign requirements of the Regulation (EU) No 801/2013, visit the following URL: eu.playstation.com/Energyefficiency

Seizures induced by light stimulation (Photosensitive Epilepsy)

If you have an epileptic condition or have had seizures, consult your doctor prior to playing. Some individuals may experience eye soreness, altered vision, migraine, muscle twitching, convulsion, blackout, loss of awareness or disorientation when exposed to flashing or flickering lights or other light stimulation

on a television screen or while playing video games. If you experience any of the above symptoms while playing, discontinue use immediately and consult your doctor.

Stop playing immediately when you experience the following symptoms

In addition to the above symptoms, whilst playing if you have a headache, dizziness, nausea, fatigue, similar symptoms to motion sickness, or if you feel a discomfort or pain in any body part such as eyes, ears, hands, arms, feet, discontinue use immediately. If the condition persists, seek medical attention.

Device software

The device software of the PS VR is licensed to you under the terms of a separate end user license agreement. For details, visit <http://doc.dl.playstation.net/doc/psvr-eula/>.

The commercial use or rental of this product is prohibited.

Contents

WARNING.....	2
Precautions.....	5
Using PS VR	8
Part names	10
Changing the earpieces	13
Care and cleaning.....	14
Specifications	15
Copyright and trademarks	17

The information contained in this manual is subject to change without notice.

Precautions

Safety

- Do not damage the AC power cord and AC adaptor.
- Contact the appropriate PlayStation® customer service helpline which can be found within the guarantee section.

Use and handling

- Before connecting, check that the connectors are free of dust and small particles.
- Do not swing the VR headset or the AC adaptor around by their cables.
- Do not remove the VR headset or unplug the VR headset connection cable until the tracking lights on the headset are turned off. Removing or unplugging while the lights are on may cause a malfunction.
- Do not place objects on the product, throw or drop the product, or otherwise expose it to strong physical impact.
- Keep this product out of the reach of small children. Small children may swallow small parts, may pull on cables and cause the processor unit or VR headset to fall, or may wrap the cables around themselves, which may inflict injury or cause an accident or a malfunction.
- Do not touch the AC power cord, AC adaptor or processor unit during an electrical storm.
- Do not allow liquid or small particles to get into the product (ports, vents, etc.). If this happens, stop use and disconnect it from the electricity supply immediately.


- Do not expose the product to dust, smoke or steam. Dust or other matter can cause fire or electric shock.
- Avoid prolonged bodily contact with the processor unit, AC adaptor, or air from the vents when the product is turned on. Extended contact may cause low-temperature burns*.
* Low-temperature burns are burns that occur when the skin is in contact with objects of relatively low temperatures (40°C or more) for an extended period of time.
- Do not use the VR headset, stereo headphones, or stereo headset (sold separately) if they cause discomfort to your skin. If the VR headset, stereo headphones, or stereo headset cause discomfort to your skin, discontinue use immediately. If symptoms do not subside even after discontinuing use, seek medical attention.
- The product and its parts are made from metal and plastic materials. When disposing of the product, follow local regulations for the proper disposal of such materials.
- Follow the precautions below to help prevent the product exterior from deteriorating or discolouring.
 - Do not use solvents or other chemicals on the product.
 - Do not allow rubber or vinyl materials to be in prolonged contact with the product.
- Permanent hearing loss may occur if the headset or headphones are used at high volume. Set the volume to a safe level. Over time, increasingly loud audio may start to sound normal but can actually be damaging your hearing. If you experience ringing or any discomfort in your ears or muffled speech, stop listening and have your hearing checked. The louder the volume, the sooner your hearing could be affected. To protect your hearing:
 - Limit the amount of time you use the headset or headphones at high volume.
 - Avoid raising the volume to block out noisy surroundings.

- Lower the volume if you can't hear people speaking near you.
- When using the headset or headphones in particularly dry air conditions, you may sometimes experience a small and quick (static) shock on your ears. This is a result of static electricity accumulated in the body, and is not a malfunction of your headset or headphones.


Use by children

The VR headset is not for use by children under age 12.

Wearing the VR headset

- It is important that you place the VR headset on your head properly during use.
 - To see instructions on how to wear the headset, go to the PS4™ system's function screen, and then select  (Settings) > [Devices] > [PlayStation VR].
 - Do not overtighten the adjustment dial.
 - You can continue to wear your glasses while using the PS VR by adjusting the scope position. Do not push in or pull out the scope excessively.
- Regularly check the product's fit to ensure it is being worn properly.

VR headset screen

- Black (dark) pixels and continuously lit pixels may appear in certain locations on the screen. The appearance of such spots is a normal occurrence associated with screens and is not a sign of a system malfunction. Screens are made using highly precise technology. However, a very small number of dark pixels or continuously lit pixels may exist and colour irregularities or brightness irregularities may be visible on each screen.
- Keep the VR headset's attachment sensor ( page 11) free from any obstacles. If the attachment sensor is blocked, the screen will not turn off automatically even if you remove the headset. If an image appears on the screen for an extended period of time, it might cause a screen burn and a faint image might remain permanently on the screen.

Never disassemble or modify this product or accessories



Use this product and accessories according to the instructions in this manual. No authorization for the analysis or modification of this product, or the analysis and use of its circuit configurations, is provided. Disassembling will void the product warranty. Additionally, there is a risk of fire, electrical shock or malfunction.

Moisture condensation

If the PS VR is brought directly from a cold location to a warm one, moisture may condense inside the product. Should this occur, the product may not operate properly. In this case, turn off the product and unplug the AC power cord from the electricity supply. Do not use the product until the moisture evaporates (this may take several hours). If the product still

does not operate properly, contact the appropriate PlayStation® customer service helpline which can be found within the guarantee section.

Unusual or unresponsive behaviour

Press the  (power) button ( page 11) on the VR headset's inline remote for at least 7 seconds to force a shutdown, and then turn on the headset again. If the problem persists, restart the PS4™ system.

High temperature message

- If the processor unit's internal temperature becomes elevated, a message will be displayed. In this case, turn off the PS4™ system and leave it unused for a while. After the processor unit cools down, move it to a location with good ventilation, and then resume use.
- Do not block the processor unit's vents, and do not use the product in a closed cabinet or other locations where heat may build up.

AC adaptor and AC power cord use

- Use an electricity supply that is easily accessible, so the AC power cord can be unplugged quickly if the need arises. Stop use, unplug the AC power cord from the electricity supply and disconnect any other cables immediately if the product functions in an abnormal manner, produces unusual sounds or smells or becomes too hot to touch.
- Unplug the AC power cord from the electricity supply when the status indicator on the processor unit is red. Unplugging the cord while the indicator is white or flashing red may cause a malfunction.

- Do not use an AC adaptor or AC power cord other than those supplied with the product. The supplied AC adaptor and AC power cord are designed exclusively for use with this product. They cannot be used with other products. In addition, other AC adaptors or AC power cords cannot be used with this product. Failure to follow these precautions may cause the product to overheat and may lead to fire or electric shock.

- Do not plug the AC power cord for the product into an electricity supply until you have connected the HDMI™ cables.
- Do not touch the plug of the AC power cord with wet hands.
- Do not use the AC adaptor when it is covered by a cloth. Heat could be trapped causing fire or malfunction.
- Unplug the AC power cord from the electricity supply before cleaning or when you do not intend to use the product for an extended period of time.
- Do not connect the AC power cord to a voltage transformer or inverter.

Storage conditions

- Do not expose the product or accessories to high temperatures, high humidity or direct sunlight.
- Do not heat the product with kitchen or heating equipment such as a dryer. It may lead to fire, injury or malfunction.
- Do not place the product or accessories on surfaces that are unstable, tilted or subject to vibration.

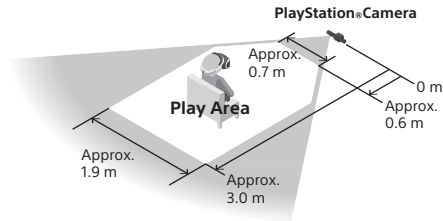
Using PS VR

Used with your PS4™ system and PlayStation®Camera, PS VR brings you the excitement of virtual reality. You can interact with games more directly because the camera captures the position, angle, and movement of the VR headset.

Be sure to always update your PS4™ system software to the most recent version.

Play Area

Limit your use of PS VR to within the Play Area. The height of the Play Area depends on the range captured by the camera. The width and depth of the Play Area are as follows.



■ : Range captured by the camera

Review surroundings and clear obstacles from an area larger than the Play Area before use.

Follow the instructions on the PS VR setup screen to adjust the camera position and angle, so that you are in the best position (in the centre of the Play Area) to play in VR mode. If you go outside of the Play Area while using VR mode, a warning will appear on the VR headset screen.

Hint

If the VR headset is not detected correctly, press and hold the **(PS)** button on the controller, and then select [Adjust PlayStation VR] > [Confirm Your Position] from the quick menu that appears. Adjust the camera position and angle.

Your position while using the VR headset

Remain seated wherever possible. For applications with a standing mode, follow the application instructions carefully.


PS VR settings

To configure PS VR settings, go to the PS4™ system's function screen, and then select **(Settings)** > [Devices] > [PlayStation VR].

Hints

- These settings are available only when PS VR is connected to the PS4™ system.
- You can also configure some settings from the quick menu that appears when you press and hold the **(PS)** button on the controller.
- For more information about setting up your PS VR, refer to the user's guide for the PS4™ system. Select **(Settings)** > **(User's Guide)** from the function screen.

Parental controls

The PS4™ system contains settings that parents or guardians can configure as necessary to restrict use of this product by children. To restrict use, go to the PS4™ system's function screen, and then select  (Settings) > [Parental Controls] > [Restrict Use of PS4 Features] > [PlayStation VR] > [Do Not Allow].

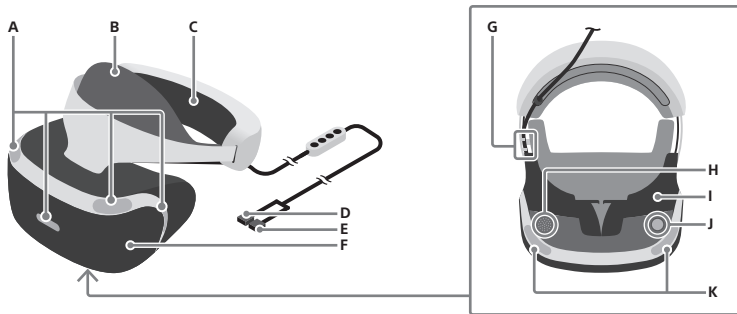
Hints

- The parental control passcode is required to configure settings.
- Restrictions that are set in place apply to all users of the PS4™ system.

Part names

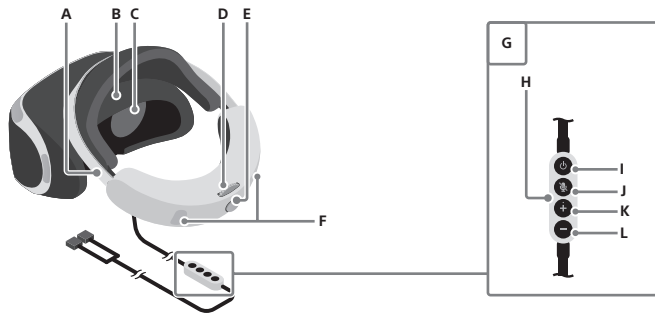
VR headset

Front



- A) Tracking lights (front)
Rear lights Blue: Powered on
All lights Blue: VR mode
Turned Off: Powered off
- B) Front head support
- C) Rear head support
- D) AUX connector

- E) HDMI connector
- F) Scope
- G) Cable hook
- H) Microphone
- I) Light shield
- J) Scope adjustment button
- K) Tracking lights (front)

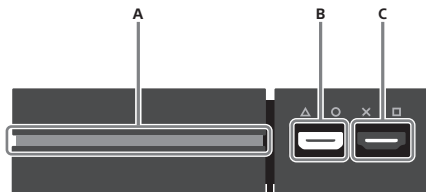


- A) Headband
- B) Attachment sensor
- C) Lenses
- D) Adjustment dial
- E) Headband release button
- F) Tracking lights (rear)

- G) Inline remote
- H) Stereo headphone jack
- I) ⏻ (power) button
- J) 🚫 (microphone mute) button
- K) Volume + button
- L) Volume - button

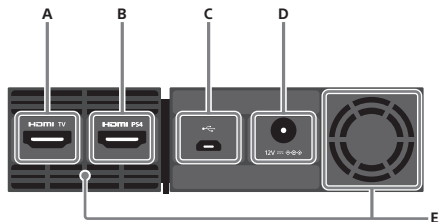
Processor unit

Front



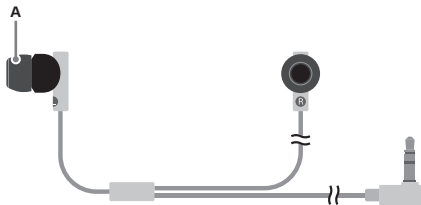
- A) Status indicator
White: Powered on
Red: Rest mode
- B) AUX port
- C) HDMI output port

Rear



- A) HDMI TV port
- B) HDMI PS4 port
- C) USB port
- D) DC IN 12V connector
- E) Vent

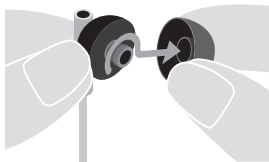
Stereo headphones



A) Earpiece

Changing the earpieces

The stereo headphones are supplied with M size earpieces attached. Replace the earpieces with the S or L size earpieces for a better fit. To remove, twist then pull the earpiece off the headphones.



Hint

Install the earpieces firmly to help prevent them from accidentally detaching during use.

Care and cleaning

Be sure to follow the instructions below to clean and maintain your product.

- For safety reasons, unplug the AC power cord from the electricity supply and disconnect any other cables before cleaning.
- Do not use solvents or other chemicals to clean the exterior surfaces.
- Do not use a chemically-treated cleaning cloth to wipe the product.

Processor unit exterior, VR headset exterior, head supports, connectors

If they are dirty, wipe them with a soft, dry cloth.

Hint

If the connectors on the processor unit, AC power cord, or other parts are dirty, signals may not be sent or received properly. You may also experience noise or interruptions in the sound if the connectors on the headphones or headset are dirty.

Lenses

Wipe only with a soft, dry cloth made specifically for cleaning lenses. Do not use paper products such as paper towels, or tissues not specifically intended for lenses.

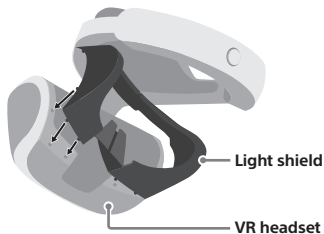
Hint

Prolonged contact with water or dust may damage the lenses and shorten their life.

Light shield

Remove the light shield from the VR headset and wash it with water. Dry it completely with a soft cloth before reattaching it to the headset.

Reattach the light shield by matching the nubs on the shield to the 13 holes on the VR headset.



Vents

Remove dust build-up from the vents using a vacuum cleaner or similar product.

Earpieces

Remove the earpieces from the stereo headphones and wash them by hand with a mild detergent. Dry them completely with a soft cloth before reattaching them to the headphones. For details on removing the earpieces, refer to “Changing the earpieces” (•► page 13).



Where you see this symbol on any of our electrical products or packaging, it indicates that the relevant electrical product should not be disposed of as general household waste in Europe and Turkey. To ensure correct waste treatment, please dispose of them via an authorised collection facility, in accordance with any applicable laws or requirements. Waste electrical products may also be disposed of free of charge via retailers when buying a new product of the same type. Furthermore, within EU countries larger retailers may accept small waste electronic products free of charge. Please ask your local retailer if this service is available for the products you wish to dispose of. In so doing, you will help to conserve natural resources and improve standards of environmental protection in treatment and disposal of electrical waste.

Specifications

Design and specifications are subject to change without notice. Functional descriptions and illustrations in this document may vary from your PS4™ system software and/or PS VR device software, depending on the version in use.

VR headset

Screen	1920 × RGB × 1080 (960 × RGB × 1080 per eye)
Sensor	6-axis motion sensing system (3-axis gyroscope, 3-axis accelerometer)
Port	Stereo headphone jack
External dimensions	Approx. 187 × 185 × 277 mm (width x height x depth / excluding projecting parts / at shortest headband length)
Mass	Approx. 610 g (excluding cables)
Operating temperature	5 °C - 35 °C

Processor unit

Input/output	HDMI TV port HDMI PS4 port Ⓜ (USB) port HDMI output port AUX port
Maximum rated power	Approx. 20 W
Power	DC 12 V
External dimensions	Approx. 143 × 36 × 143 mm (width × height × depth) (excluding projecting parts)
Mass	Approx. 365 g
Operating temperature	5 °C - 35 °C

AC adaptor

Input	AC 100 - 240 V, 50/60 Hz
Output	DC 12 V 3 A
External dimensions	Approx. 108 × 46 × 30 mm (width × height × depth) (excluding projecting parts)
Mass	Approx. 146 g

Supported video input signals

For information about supported video input signals, visit <http://rd.playstation.com/psvr/>.
You can also access this information by using the QR code.



Copyright and trademarks

“PS” and “PlayStation” are registered trademarks or trademarks of Sony Interactive Entertainment Inc.

“SONY”, “” and “Sony Entertainment Network” are registered trademarks or trademarks of Sony Corporation.

The terms HDMI and HDMI High-Definition Multimedia Interface, and the HDMI Logo are trademarks or registered trademarks of HDMI Licensing, LLC in the United States and other countries.

All other trademarks are the property of their respective owners.

Step-by-step setup video

Visit <http://www.sie.com/psvr/> to view a step-by-step setup video. You can also access the video using the QR code.



Support

The official site for PlayStation® product support provides the latest questions and answers about your product.
eu.playstation.com/help/ps4/



**Sony
Interactive
Entertainment**