



DPVR E3-C User Manual

www.dpvr.cn

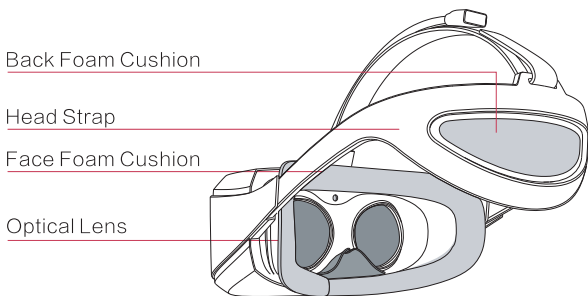
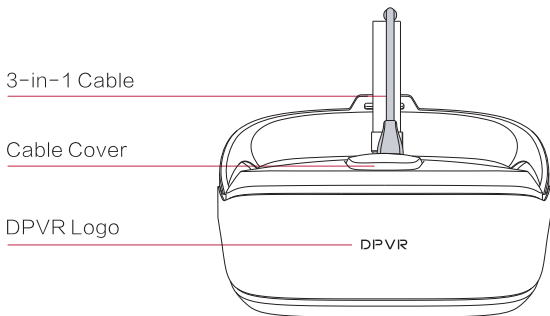
The image shown here is indicative only.
The actual product may differ.

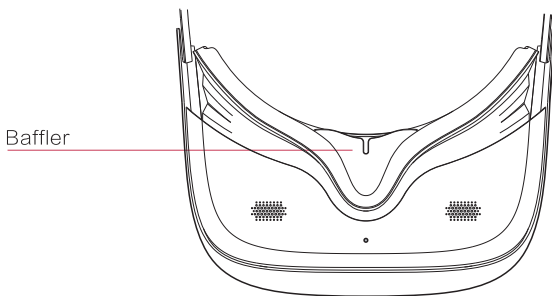
Version 1.3

1.Overview

Name	DPVR E3-C
Model	E3-C
Device	E3-C HMD
Accessories	3-in-1 Cable User Manual /Warranty Guide/ Certificate of Quality Back Foam Cushion
Size	266mm x 194.5mm x 96mm
Weight	305g for HMD
Screen	Resolution 2560*1440 Quad HD
IPD	54mm~74mm adaptive Support Glasses Wearing
Sensors	Gravity sensor Compass Gyroscope
Interfaces	HDMI 1.4b×1 USB 2.0×2
FOV	110°

2.Introduction





3. Safety Information

Please read the following safety information before using the device, to ensure your safety and proper use.

Follow the warnings below, to prevent accidents such as fire or explosion.

- Do avoid physical collision or damage to the device.
- Use the charger and accessories approved by the manufacturer.
- Do not touch the device by wet hands. Do not use the device in humid environment, such as bathroom or swimming pool.

Read the following warnings, to prevent personal injury or device damage.

- Do not store the device in hot or cold environment. The operating temperature is between 0 and 40°C.
- Keep the device dry. Do not use it outdoor in thunderstorm weather.
- To avoid potential hearing impairment, do not use the earphone or headphone at high volume for long time.
- The product is not recommended for children under 13. Users under 18 or above 65 years' old shall use the device under proper guardians to limit the use duration and ensure the rest time.
- Don't put the helmet lens under sunlight or other strong light to avoid the damage to device.

4.Usage Instructions

4.1 Usage Environment

- Use the product in indoor environment. Keep it away from heat and strong electromagnetic sources.
- Experience on seat is recommended. Avoid violent actions to prevent injury or damage to people or property.
- Place the product steadily and safely when you finish using to prevent drop.

WARNING: During use or storage, avoid direct irradiation from strong sunshine or other light sources on the lens lest the product be damaged.



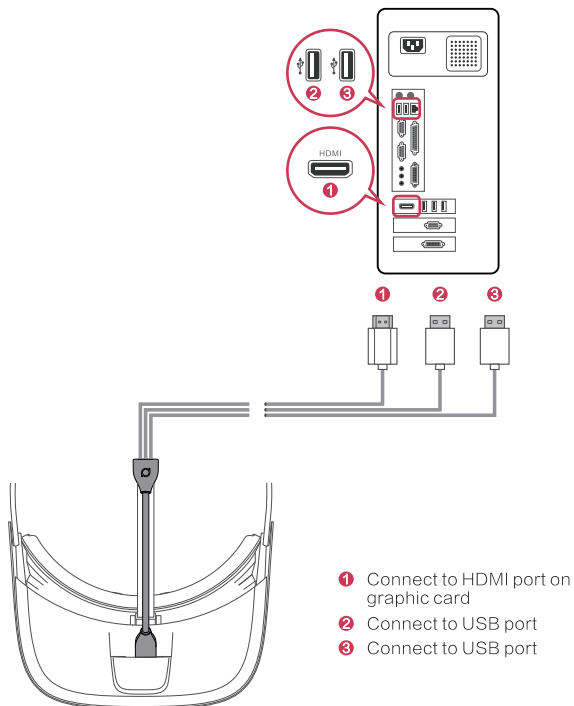
4.2 Recommended computer requirement

		requirements	
Software	OS	Windows 10 64bit Home/Professional (Recommended) Windows 8.1 64bit Standard/Professional Windows 7 SP1 64bit Home/Professional/Ultimate	
Hardware	Game		
	Description	Most VR games can run smoothly. The experience of 3D video and 360 degree panoramic videos is perfectly smooth.	
	PC	Desktop or notebook with a separate graphics card	
	CPU	i5-4590 / AMD FX 8350 equivalent or greater	
	Graphics Card	Nvidia GeForce GTX 970 / AMD Radeon R9 290 equivalent or greater	
	RAM	4GB+	
	Video		
	Description	The experience of 3D video and 360 degree panoramic video is perfectly smooth.	
	PC	Desktop or notebook with a separate graphics card	Integrated graphics desktops
	CPU	Intel i3 equivalent or greater	Intel i5-6500 equivalent or greater
	Graphics Card	Nvidia GT-730 1G equivalent or greater	Intel HD530 equivalent or greater
RAM	4GB+	4GB+	

4.3 Download and Install DPVR Assistant

- Go to DPVR official website www.dpvr.cn to download DPVR Assistant.
- Install DPVR Assistant by following the prompts.

4.4 Connect E3 to Computer



4.5 Wearing HMD

For users without glasses, please directly wear helmet and adjust to a comfortable state.

For users wearing glasses, please wear the product as follows:

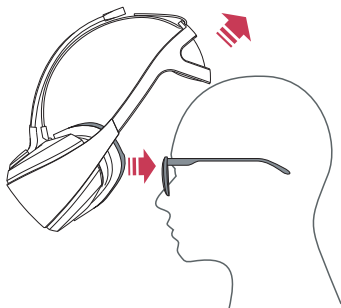


Figure 1: First put headset foam close to the glasses, and then pull the strap

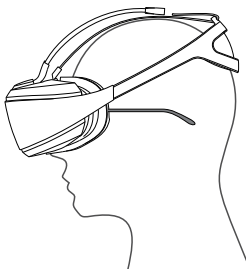


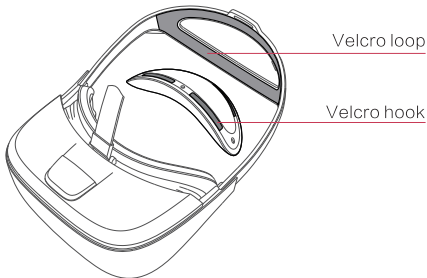
Figure 2: Cover the glasses with the foam, loosen the strap, and adjust to a comfortable state

4.6 Adjust the strap

The strap of this product can be automatically adjusted by the built-in resilient structure according to the user's head circumference.

For those with large head circumference, please take off the Back Foam Cushion;

For those with small head circumference, please use the Back Foam Cushion if you feel the headset is falling.



4.7 Start experience

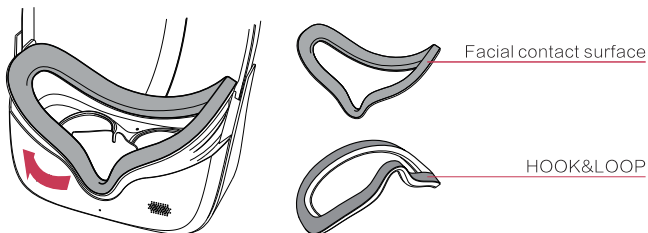
- Start the DPVR Assistant. Check the headset connection status on the Device Connect pane.
- You may switch between DPVR Mode, DK1 Mode and DK2 Mode in the 'System Setup' - 'General Setup'.
- For more information please refer to the instructions in DPVR Assistant.

5. Product maintenance

5.1 Replace the Face Foam Cushion

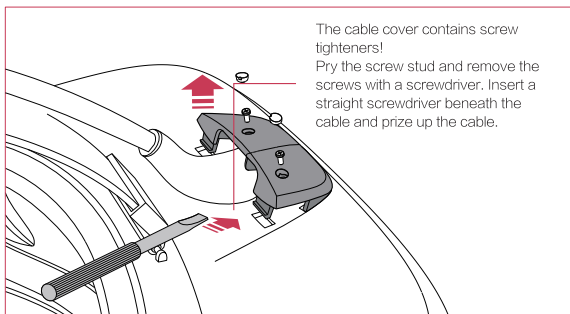
Over time, the Foam Cushion might be worn out. Replace it when necessary.

1. Carefully strip away the Foam Cushion from the nose area.
2. Install the Foam Cushion as per the illustrations below, and then gently press it onto the device.

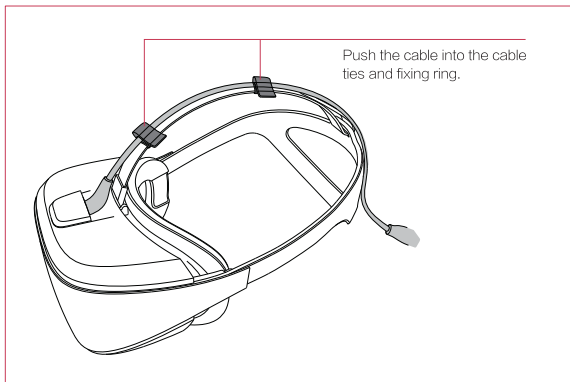


5.2 Replace the 3-in-1 Cable

Remove the screws with a small screwdriver to open the cable cover. Pull out the old cable, insert a new one. Close the cable cover and resume the screws.



Replacing cable step 1



Replacing cable step 2

5.3 Firmware Upgrade

Please refer to the prompts in the DPVR Assistant to complete firmware upgrade.

5.4. Information on product, corporation, purchase and assistance

Please go to DPVR official website www.dpvr.cn for updates on DPVR product and supports.

Official Website: www.dpvr.cn

Official Service : service@dpvr.cn

Marketing and business Cooperation: mkt@dpvr.cn



Official WeChat Account



Service WeChat Account