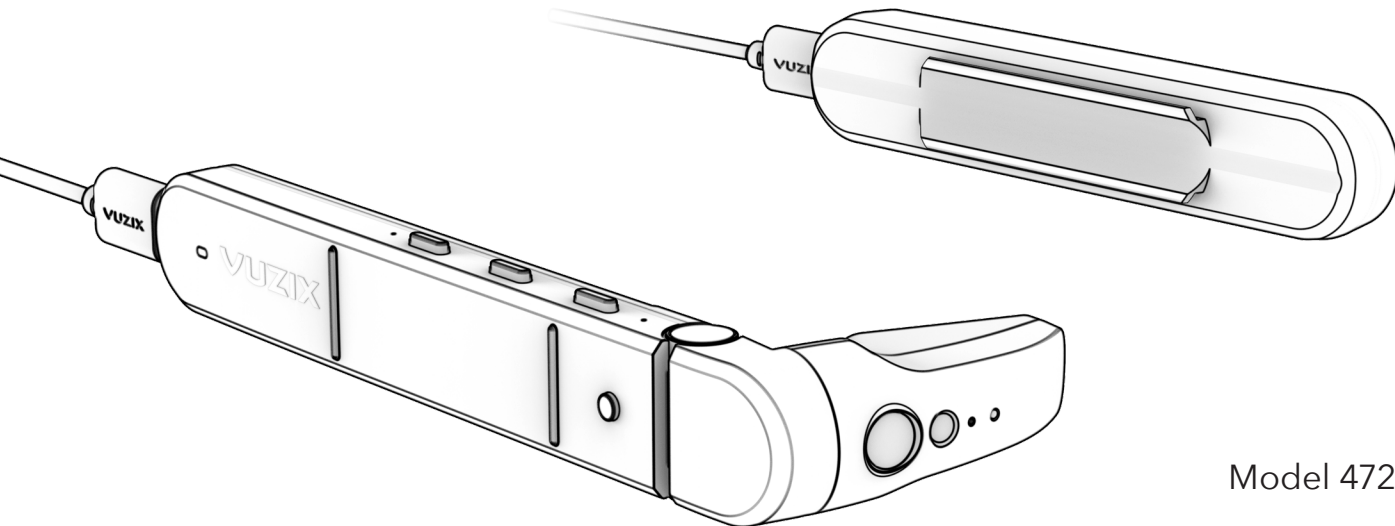


# M400

User Manual v1.0

**VUZIX®**



Model 472

## CONGRATULATIONS ON YOUR NEW VUZIX M400 SMART GLASSES SYSTEM

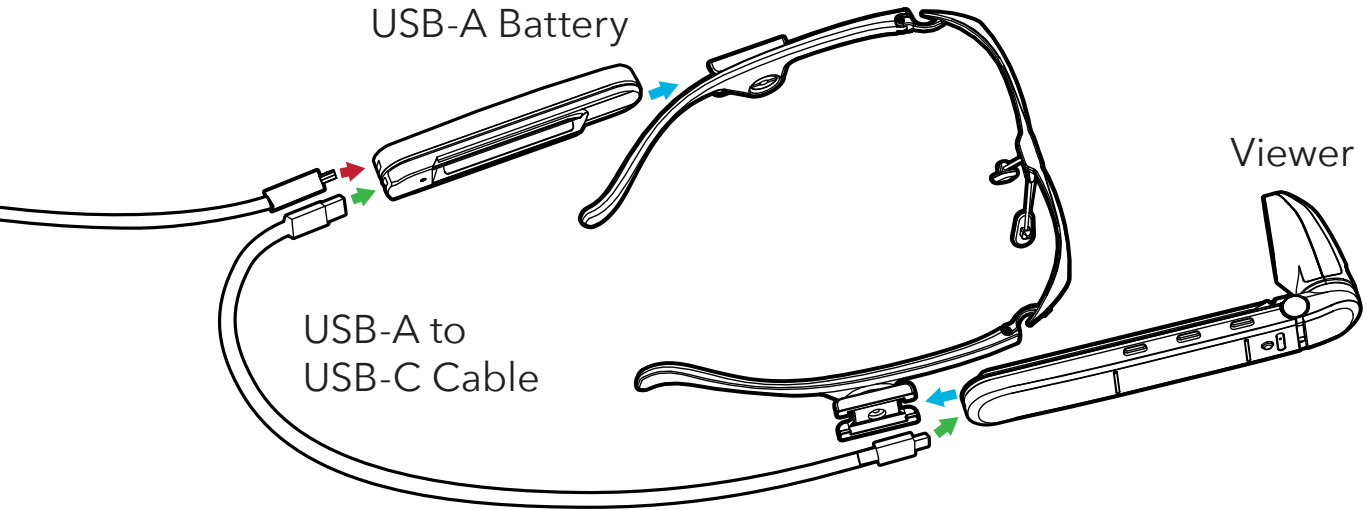
Your M400 Smart Glasses System is an ergonomically designed, wearable Android-based computer with Wi-Fi connectivity, voice-command functionality and HD camera – right out of the box, including:

- M400 viewer with adjustable display screen
- USB-A Battery
- USB-A to USB-C power cable
- USB-A to Micro USB cable (for charging the USB-A Battery)
- M-Series Lens-less frames
- Soft case for storage

## **CHARGING FOR FIRST-TIME USE**

Charge battery before use with wall charger, wait until all three LEDs are solid.

Can take up to two hours if the battery is fully empty.



USB-A Battery

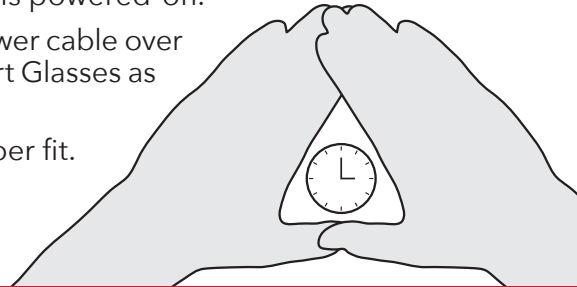
USB-A to  
USB-C Cable

Viewer

- ➔ Charging the battery
- ➔ Assembling the M400 mounting system
- ➔ Power to M400 from Battery

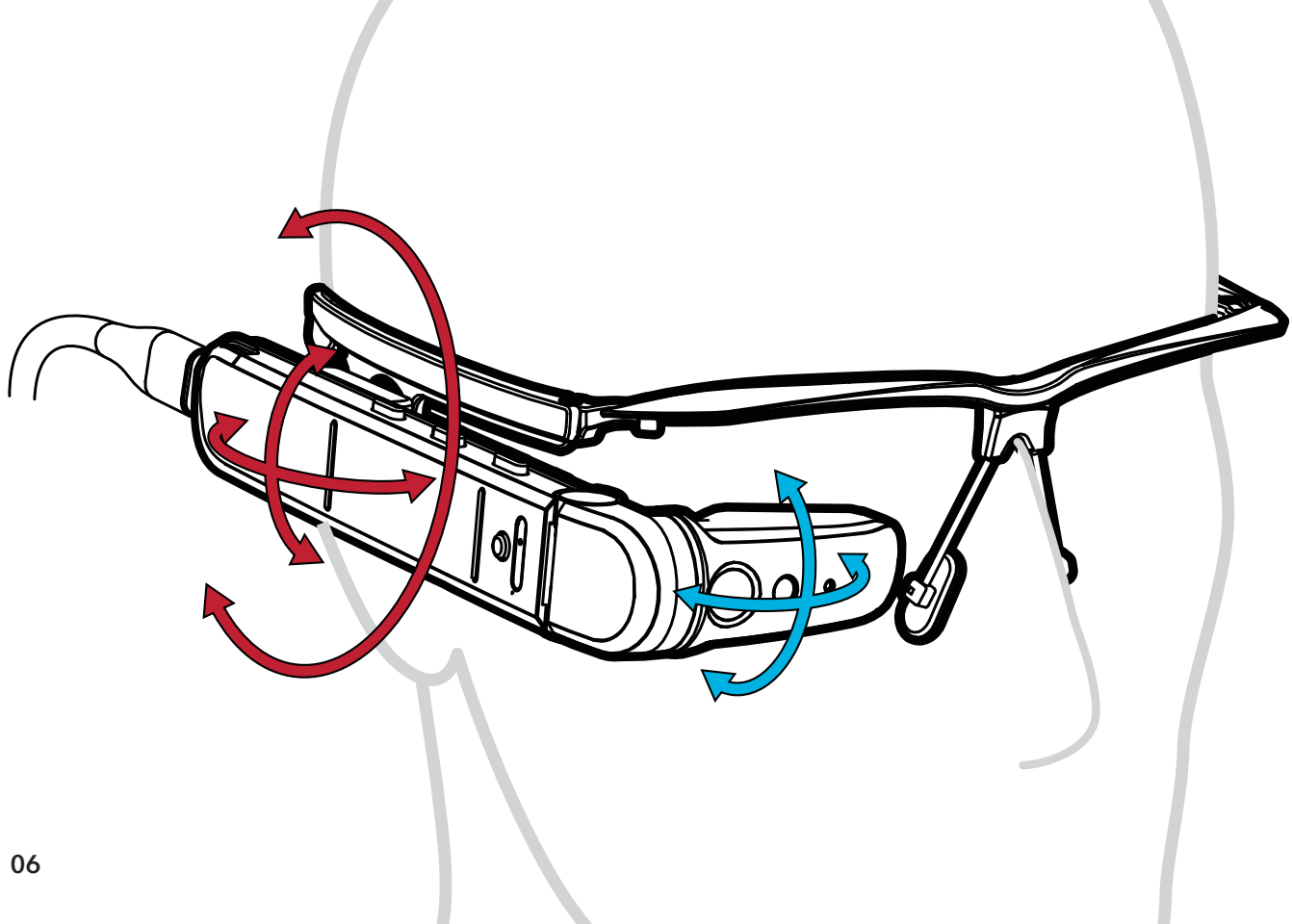
## ASSEMBLING YOUR M400 SMART GLASSES SYSTEM

1. The viewer will be worn on the dominant eye. Before attaching the viewer to either side of the Smart Glasses frames, determine your dominant eye for optimum use of M400 capabilities.
2. Attach viewer to the side of the frame by sliding the mounting rail onto the temple mount on the frames. Once properly fitted, the unit will be adjustable by sliding forward and backward.
3. Using the same mounting process, attach the USB-A battery onto the other side of the frames.
4. Plug the USB-C end of the connector cable into the viewer and the USB-A connector to the USB-A battery. Press the power button on the battery for 2 seconds to turn on the system. The LED on the battery will illuminate when the system is powered-on.
5. When ready to wear your M400 Smart Glasses, lift the power cable over your head to rest on your shoulders as you place the Smart Glasses as you would a pair of glasses.
6. Ear hooks and alternate nose pads are available for proper fit.



### DETERMINE YOUR DOMINANT EYE

Extend your hands, placing them together to make a small triangle between your thumbs and knuckle. Keeping both eyes open, center a nearby object inside the triangle. Close each eye one at a time. Notice how the object moves out of view when one eye is closed? When the object remains in view, the open eye is your dominant eye.



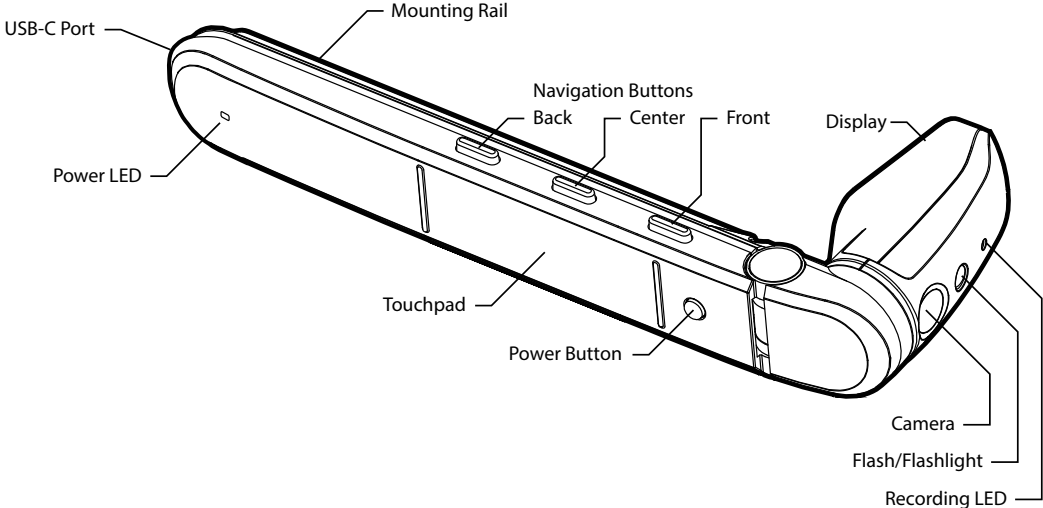
## WEARING THE M400

1. Make sure the Smart Glasses frames are resting comfortably on your head. Frames can be worn over the top of a majority of regular prescription eyewear. The nosepiece of the frames can be adjusted to fit comfortably and securely.
2. After mounting the viewer, adjust the viewer as shown until it is a comfortable distance and preferred position from your dominant eye.
3. Adjust the eyepiece as shown until you can see the full image.
4. Additional mounting options, including frames with prescription lenses, safety frames, hard hat, headband mounts, and more, can be found online at [Vuzix.com](https://www.vuzix.com) under Products > M400 Smart Glasses > Accessories.

## FOCUSING NEAR-FIELD

First time users may find some challenges focusing their near-field vision on the M400 display. Making sure to keep both eyes open, some users may need up to 20 minutes to adjust.

# NAVIGATING THE M400





## TOUCHPAD

One finger:

- Tap to activate selection or turn on the screen
- Hold to activate menu
- Swipe up/down/left/right to move selection

Two fingers:

- Tap to go back or return
- Hold to go to home screen
- Swipe back for backspace
- Swipe forward for delete
- Swipe up to raise volume
- Swipe down to lower volume

Three fingers:

- Tap to turn off screen

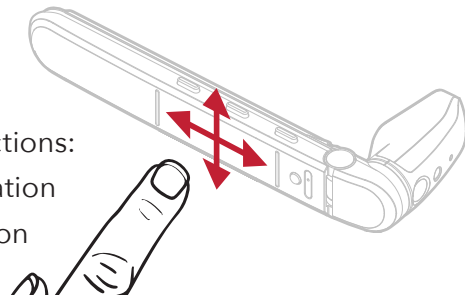
## BUTTONS

Short Press for primary functions:

- Front: Forward navigation
- Center: Back navigation
- Back: Select

Long Press (approx. one sec) touch for secondary functions:

- Front: Open menu
- Center: Exit to home menu
- Back: Back one step



## VOICE

The M400 can be activated by "Hello Vuzix" when properly configured. The M400 will listen for voice commands for 15 seconds by default.

To activate Voice control, open the Settings menu and navigate to System -> Speech Recognition. Enable the speech recognition.

A full list of voice control commands can be viewed from that same settings menu.

## **M400 POWER LED**

<b>Color</b>	<b>Meaning</b>
Green	On
Blinking red	Too low to power on, keep plugged in to USB to charge

## **IF THE BATTERY RUNS OUT DURING USE**

If the battery runs out of power the viewer will display a message on the screen

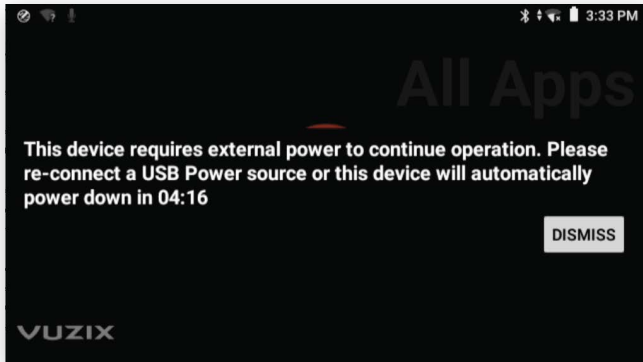
1. Unplug the USB cable from the battery
2. Remove the battery from the mount and replace with a charged one
3. Plug the USB cable back in
4. Turn on the battery by pressing the power button on the battery for 2 seconds
5. The message on the screen will go away

## POWERING DOWN AND RESTARTING

Press and hold the power button on the viewer to access the power menu.

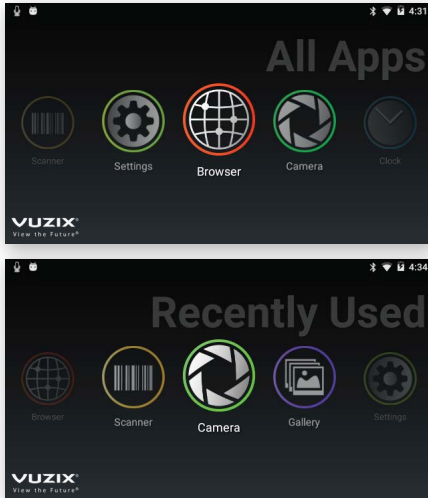
- To reboot, highlight the reboot entry and activate it. The viewer will power off and automatically turn back on.
- To fully power off, highlight the power off entry and activate it. The viewer will ask you to unplug the USB cable. After you unplug the cable the viewer will fully power off. Leave the cable disconnected while the viewer is off. The battery will power off as soon as it's unplugged.

If the USB cable is unplugged the device will power off after about five minutes. If the internal battery is already discharged this may occur sooner.



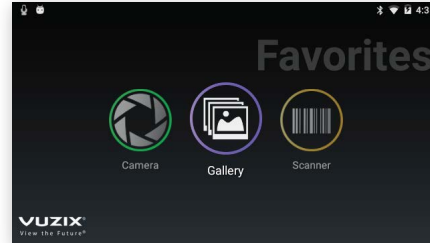
## PREINSTALLED APPLICATIONS

The M400 comes preinstalled with several standard applications such as **Camera**, **Gallery** and **QR and barcode Scanner**.



## APPLICATION MENU

The **M400 Application Carousel** has multiple sections for helping organize and easily access your most commonly used M400 applications. A long press on the center button while on the home screen will toggle between **All Apps** section, an automatically populated **Recently Used** section and a **Favorites** section.

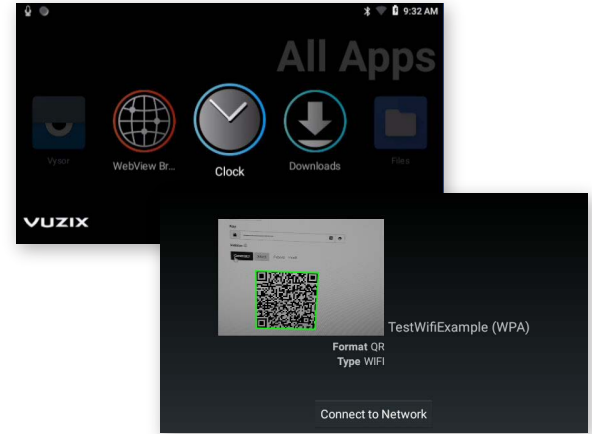


For more information on managing applications, visit:  
[www.vuzix.com/support](http://www.vuzix.com/support)

## CONNECTING TO WI-FI

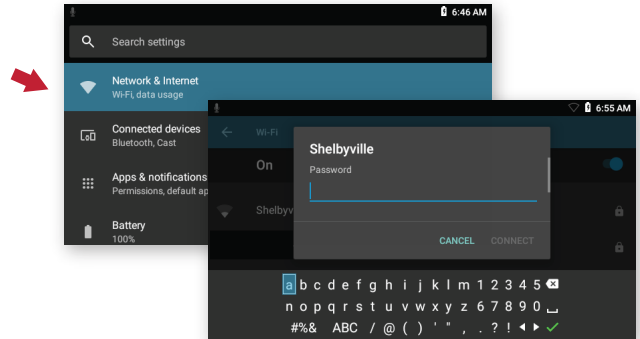
### QR code setup:

1. The easiest way to connect to Wi-Fi is by scanning a QR code – QR codes can be securely created using [vuzix.com/wifiQR](http://vuzix.com/wifiQR) from your phone or computer.
2. Open Scanner from the main carousel.
3. Point the M400 at the phone or computer screen that is displaying the QR code to scan.



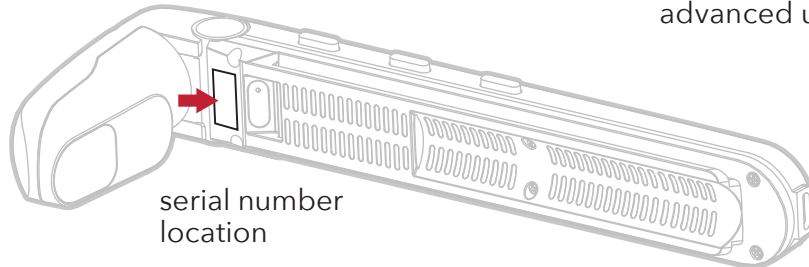
### Manual setup:

1. At the home page, select the **Settings** app.
2. Select **Network & Internet** then **Wi-Fi** menu option and then press the select button to activate Wi-Fi.
3. Once the list of available networks populates, highlight the preferred network and select.
4. Enter password using displayed keyboard, Select **Connect**.



## REGISTERING YOUR DEVICE

1. Register your device by logging on to your Vuzix App Store account from a computer or phone at [vuzix.com/appstore](http://vuzix.com/appstore).
2. Follow the instructions on the website
3. Once registered, you will see the serial number of your M400 under your account.



## INSTALLING APPLICATIONS

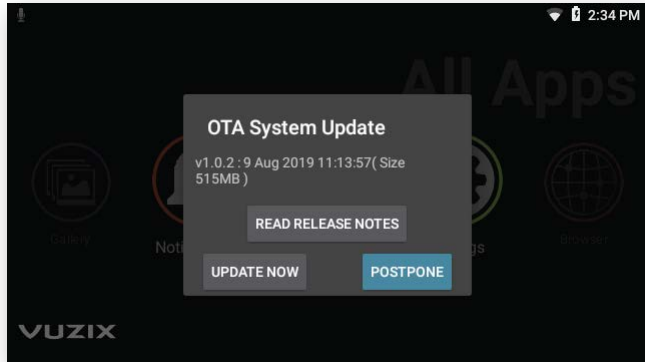
Application can be installed on the M400 via the Vuzix App Store. The Vuzix App Store will install and manage applications via the OTA (Over the Air) mechanism and will require Wi-Fi connectivity.

For instructions and additional information about installing applications and using the Vuzix App Store, visit: [www.vuzix.com/support](http://www.vuzix.com/support).

The M400 supports ADB (Android Debug Bridge) as an alternative mechanism for advanced users to install applications.

## GETTING THE LATEST UPDATES

The M400 will automatically check for updates once it is connected to Wi-Fi. Click Update on the following pop-up.



**NOTE:** If your corporate firewall prevents access to the external website, your system administrator may provide additional settings for your M400 or may provide a software update offline.

## DEVELOPING FOR M400

Developer documentation is available at [vuzix.com/developers](http://vuzix.com/developers).

In order to power the unit during development, please note:

- The included battery does not support data pass-through.
- The viewer should be plugged into the developer's machine with a USB C-to-C cable for the best experience.
- If a USB A-to-C cable must be used, then using a CDP-capable port will provide enough power. If the USB-A port is not providing sufficient power, functions of the device may become impaired without notice, and the viewer may shut down completely.



## TROUBLESHOOTING COMMON ISSUES

SYMPTOM	DIAGNOSIS	REMEDY
M400 will not turn on and status LED is not lit	Battery is discharged	Connect battery to wall charger for up to two hours for a full charge, then connect battery to viewer.
M400 will not turn on and status LED is blinking red	Internal battery is discharged	Leave viewer connected to USB power. System will begin booting within a few minutes.
M400 display is blank but status LED is lit	Screen has turned off to conserve power	Tap the power button or the touchpad to wake the screen.
M400 powers off after 20-30 minutes while plugged in to USB	USB source does not provide enough current	M400 can draw up to 1.5A while in operation.

## CLEANING AND CARE

- Clean the viewer and battery with a damp cloth and mild detergent if necessary. Do not use all-purpose cleaners as these may damage the seals and impair the water resistance.
- Make sure that there is no standing water in the USB connector before inserting the cable.
- Do not insert sharp objects into any holes in the viewer as this may damage the mesh and impair the water resistance.
- Do not use metal objects to clean the USB port as this may cause electrical damage.

## REGULATORY INFORMATION

Regulatory information can be viewed from the Settings application:

1. Open "System"
2. Open "About Glasses"
3. Open "Regulatory labels"

## LEARNING MORE

Visit [www.vuzix.com/support/M400-smart-glasses](http://www.vuzix.com/support/M400-smart-glasses) for more information on the M400 or contact [technical\\_support@vuzix.com](mailto:technical_support@vuzix.com) for additional information.

FOR MORE INFORMATION ON THE M400  
AND ACCESSORIES, VISIT:

**[vuzix.com](http://www.vuzix.com) | [vuzix.eu](http://www.vuzix.eu) | [vuzix.jp](http://www.vuzix.jp)**

©Vuzix 2019. This User Manual is subject to change.

Please read the included safety information, also at [www.vuzix.com/support/safety-warranty-m-series](http://www.vuzix.com/support/safety-warranty-m-series) before using this product.

All trademarks belong to respect owners.

472PB0002(0002) - M400 USER MANUAL